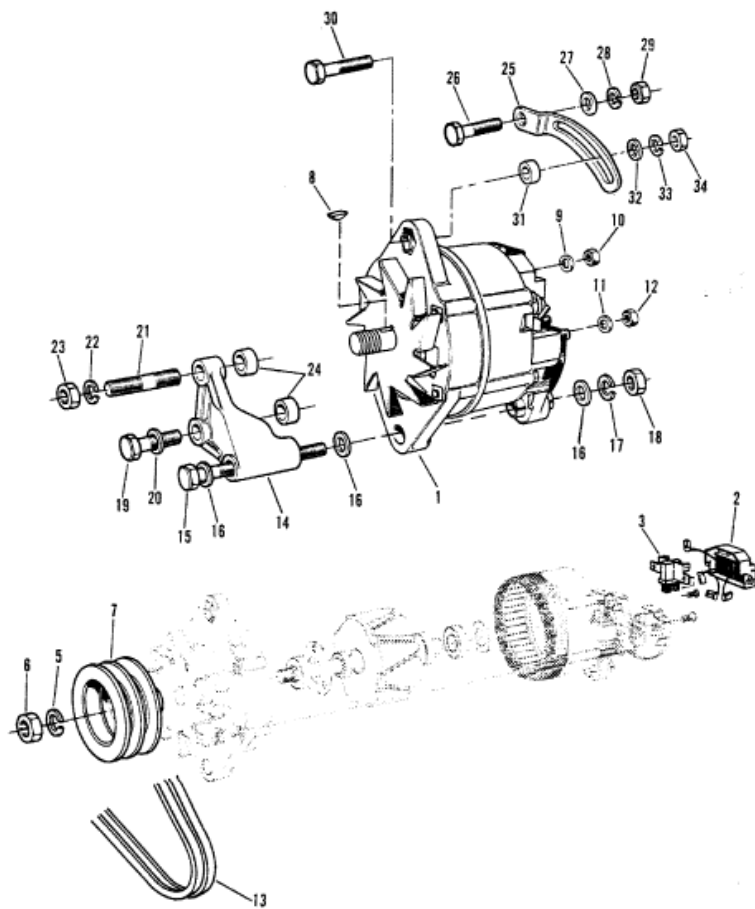


ALTERNATOR



ALTERNATOR

Parts List

Ref	Class	Part	Description	Qty	Comment	Footnote
1		816175	ALTERNATOR	1		
2		811505	REGULATOR	1		
3		811521	BRUSH HOLDER	1		
5	13	809933149	LOCKWASHER	1		
6	11	809921631	NUT	1		
7		816539	PULLEY	1		
8	28	809951453	KEY	1		
9	12	809931036	WASHER	2		
10	11	809922038	NUT	2		
11	13	809931076	LOCKWASHER	2		
12	11	809922800	NUT	2		
13	57	816544	V-BELT	2		
14		816542	BRACKET	1		
15	10	816454	SCREW	1		
16	12	809931084	WASHER	3		
17	13	40024 9	LOCKWASHER	1		
18	11	809922133	NUT	1		
19	10	811476	SCREW	1		
20	12	811480	WASHER	1		
21	16	811475	STUD	1		
22	13	811482	LOCKWASHER	1		
23	11	811478	NUT	1		
24		816543	SPACER	2		
25		816540	BRACE	1		
26	10	811477	SCREW	1		
27	12	811479	WASHER	1		
28	13	811481	LOCKWASHER	1		
29	11	801333455	NUT	1		
30	10	40001197	SCREW	1		
31		816541	SPACER	1		
32	12	809931332	WASHER	1		
33	13	40024 8	LOCKWASHER	1		
34	11	40021 4	NUT	1		